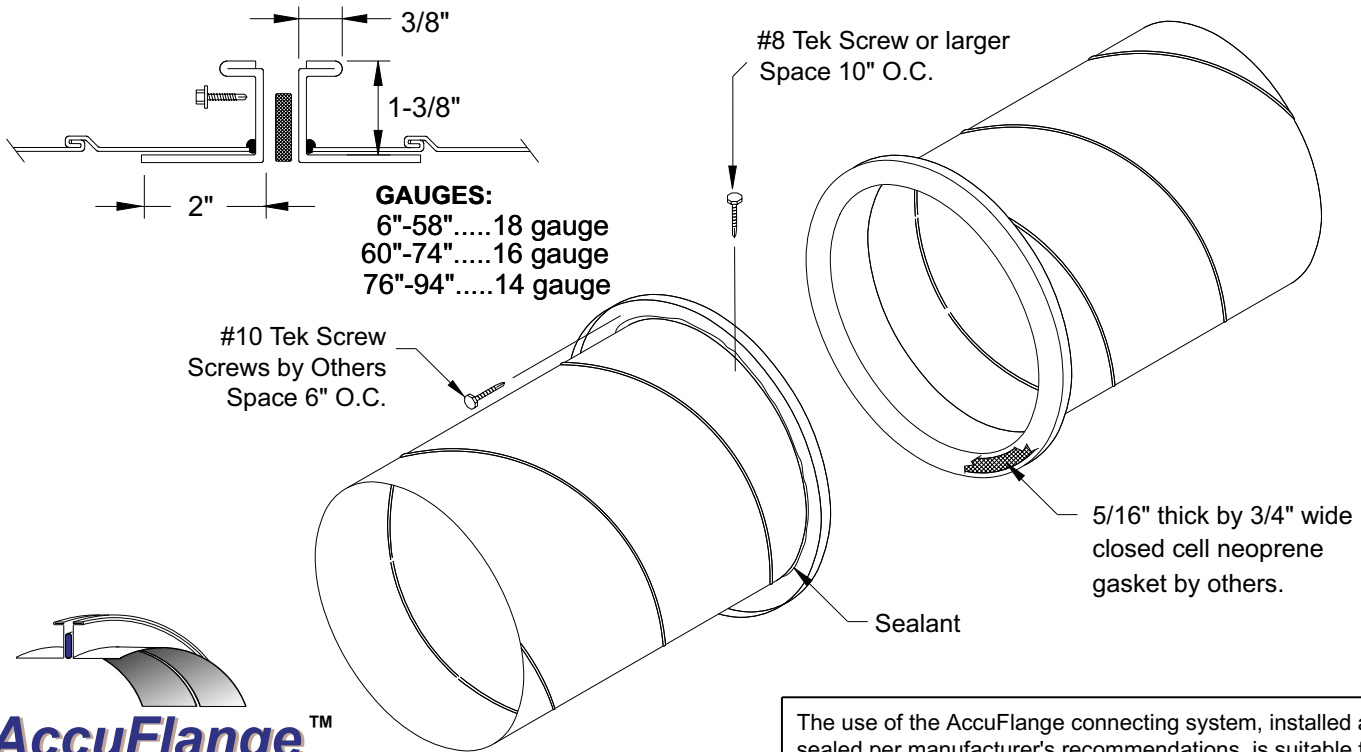




AccuFlange™ Submittal

Round Duct Connector

AccuFlange SINGLE WALL



AccuFlange™

U.S. Patent No. 5,983,496

The use of the AccuFlange connecting system, installed and sealed per manufacturer's recommendations, is suitable for use on all systems across a range of internal duct pressures from 10" S.P.W.G. positive to 10" S.P.W.G. negative.

AccuFlange DOUBLE WALL

