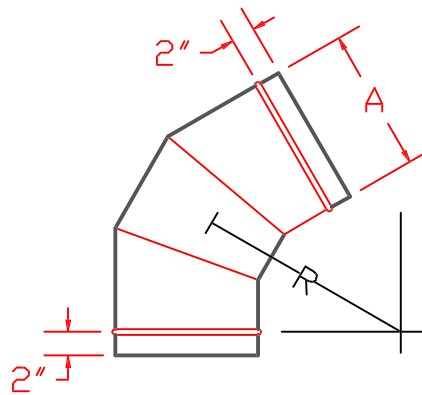
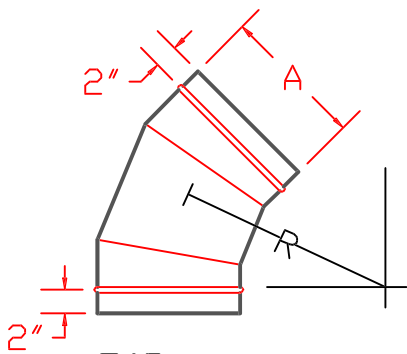


E90  
90° 5-PIECE ELBOW

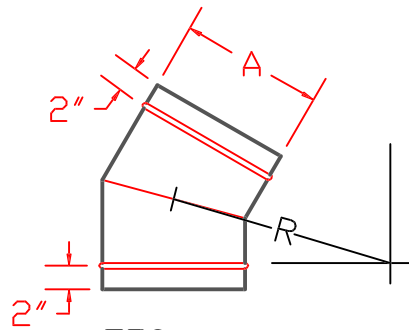


E60  
60° 3-PIECE ELBOW

STANDARD CENTER LINE RADIUS  
EQUALS 1-1/2 TIMES DIAMETER.  
 $R = 1.5 \times A$



E45  
45° 3-PIECE ELBOW



E30  
30° 2-PIECE ELBOW