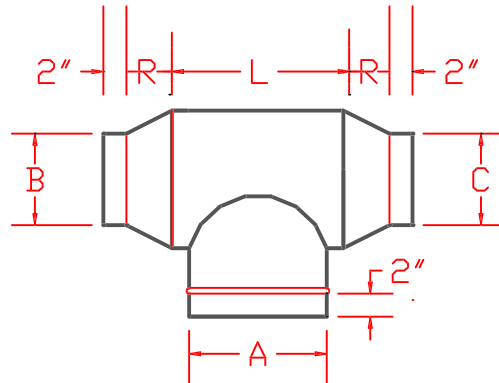
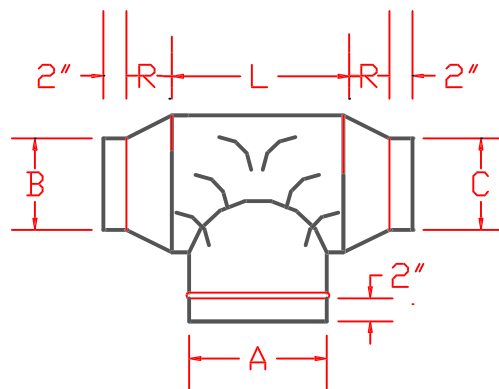


# SINGLE WALL ROUND

## Bullhead Tees



BT90  
BULLHEAD TEE 90°  
 $L = A + 3''$   
R = Refer to reducer drawing.



BTV90  
BULLHEAD TEE 90° W/ VANES  
 $L = A + 3''$   
R = Refer to reducer drawing.