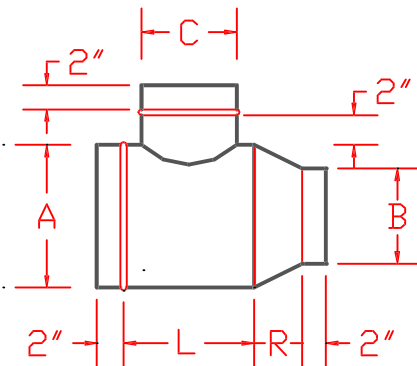
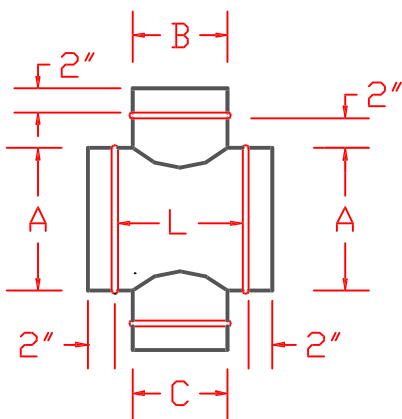


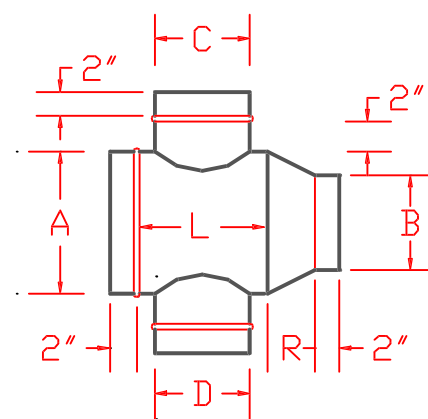
T90  
TEE 90°  
 $L = B + 3''$



RT90  
REDUCING TEE 90°  
 $L = C + 3''$   
R = Refer to reducer drawing.



C180  
CROSS 180°  
 $L = \text{Largest Tap} + 3''$



RC180  
REDUCING CROSS 180°  
 $L = \text{Largest Tap} + 3''$   
R = Refer to reducer drawing.