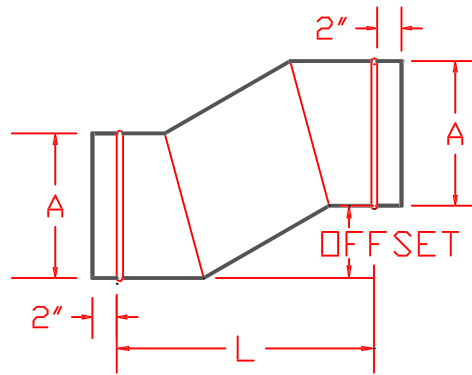
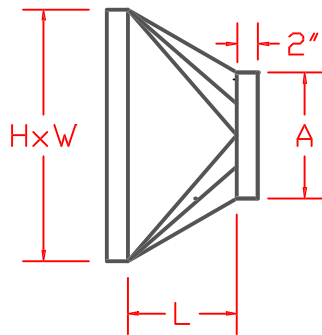


SINGLE WALL ROUND

Offset and Square-to-Round Transition



OS
OFFSET
 $L = A \times 2$



SQ2RD
SQUARE TO ROUND TRANSITION

A - (LARGEST LENGTH H OR W MINUS ROUND DIAMETER)	L (Inches)
3-8"	12
9-14"	18
15-26"	24
27" and Larger	36